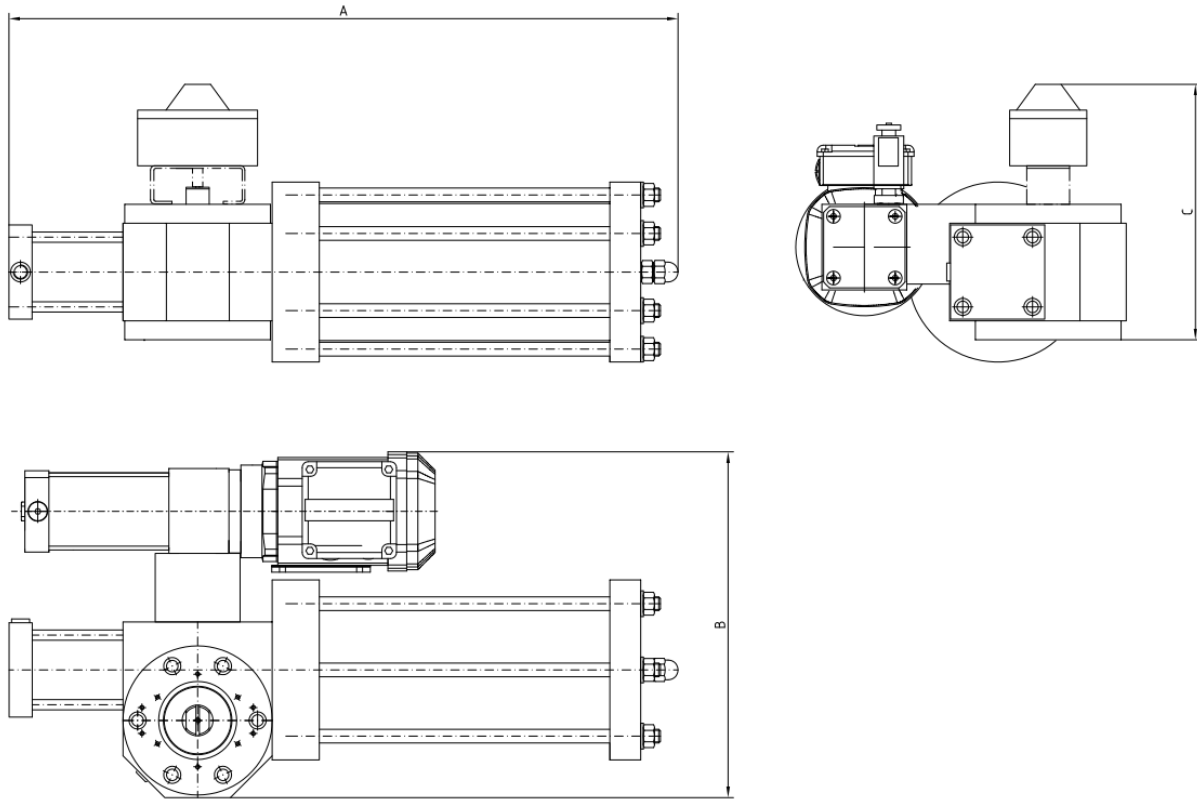


Main Data Sheet

Electro Hydraulic Actuator PA-O-Exx-90-EB-SO-(X)

Part turn actuator 90°, limit switch box, single acting, spring to open, X=Explosion proof



Type	STO Start torque spring Nm	A mm	B mm	C* mm	max. D				F DIN 5211	Weight kg
					4KtP	4KtD	2FI	Ws/Wd		
E40	455	632	430	275	30	30	27	40	F10-F14	55
E55	940	750	465	300	40	40	40	55	F10-F16	95
E60	1200	780	465	300	40	40	40	55	F10-F16	110
E65	2225	1030	425	340	55	55	55	65	F14-F25	180
E70	4160	1265	580	365	55	55	55	65	F16-F30	380
E85	8320	1760	690	410	75	75	75	90	F16-F30	640

*with standard limit switch box

Ambient temperature range:	-10°C to 60°C optional -40°C to 80°C
Degree of protection:	IP65
Power supply:	400V50Hz 3Phs; 230V50Hz 1Phs
Solenoid valve, spring close:	24VDC / 230VDC (ATEX 15W)
Spring opening speed:	<1sec. up to 60 sec. adjustable with throttle valve (on demand)
Hazardous area:	II 2G c k IIC T4 ATEX
SIL:	SIL2 (Architecture 1oo1) other logic on demand
Installation position:	preferred horizontal, others by prior agreement